

Series 2811

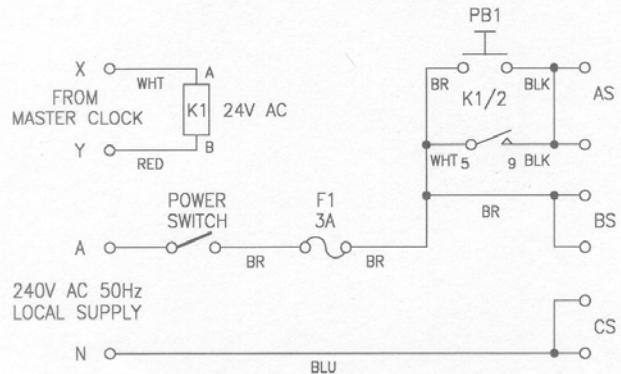
Clock Correction Relay

(2811-1002 Sync. Rx)

MODEL 2811-1002 RECEIVER

Features

- Small, Compact Design
- Pluggable Relays
- Distributed, Flexible Application
- Expands capacity of Master Clock by 50 Clocks
- Reliable Performance



Description

The 2811 Series Receivers and Relays are designed to be used in conjunction with the Simplex range of synchronous wired master clock systems, typically for distribution of the master clock correction signal from building to building or from level to level. The 2811-1002 Receiver receives the 30 Volt AC correction signal from the 2811-1001 Transmitter and re-establishes the signal to the required voltage and current to drive and correct up to 50 Simplex synchronous wired slave clocks. The cabling from the receiver relay to the slave clock should consist of 3 x 2.5 mm² TPS/TPI plus earth and be terminated at each clock with a Clipsal 408/4 recessed clock outlet. Specifications

- Power requirements: 240 Volts AC, 5 watts
- Signal input: 24-32 Volts AC from transmitter
- Signal output: 240 Volts AC for clock correction
- Environmental: 0 - 50°C (RH non-condensing 95%)
- Dimensions : 190 mm height,

