

### CAUTION

THE 6311-9021, -9022, -9023, -9024, -9031, -9032, -9033, AND -9034 ELAPSED TIMERS MUST BE OPERATED BY THE 6311-9502 TIMER CONTROL. DAMAGE TO THE ELAPSED TIMER WILL RESULT IF ANY OTHER CONTROLS ARE USED.

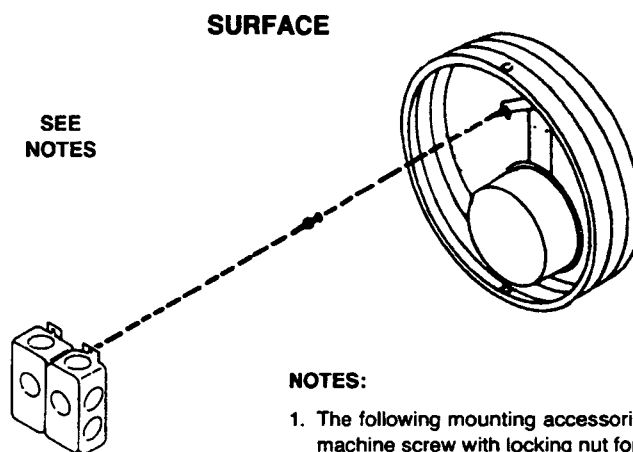
### INTRODUCTION

The 6311 Timer provides accurate timing for use in hospital delivery and operating rooms, laboratories, schools, industrial plants, etc. where elapsed timing is required.

### INSTALLATION

Install the 6311 Timer as follows:

For surface mounting, see Figure 1.  
For semi-flush mounting, see Figures 2 and 3.  
For electrical connections, see Figure 4.

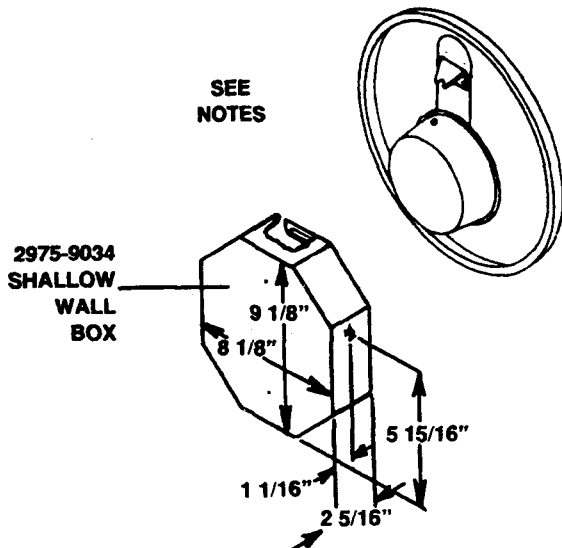


#### NOTES:

1. The following mounting accessories are supplied: One 6-32 x 1" machine screw with locking nut for mounting on double gang box (not supplied).
2. Mount double gang box flush with finished surface.
3. To connect timer to timer control, harness 733-623 (5½' length) is supplied with timer while harness 733-614 (7" length) is supplied with timer control. If length greater than 5½' is desired, use #18 wires (or to local code).

**FIGURE 1**

**SEMI-FLUSH**

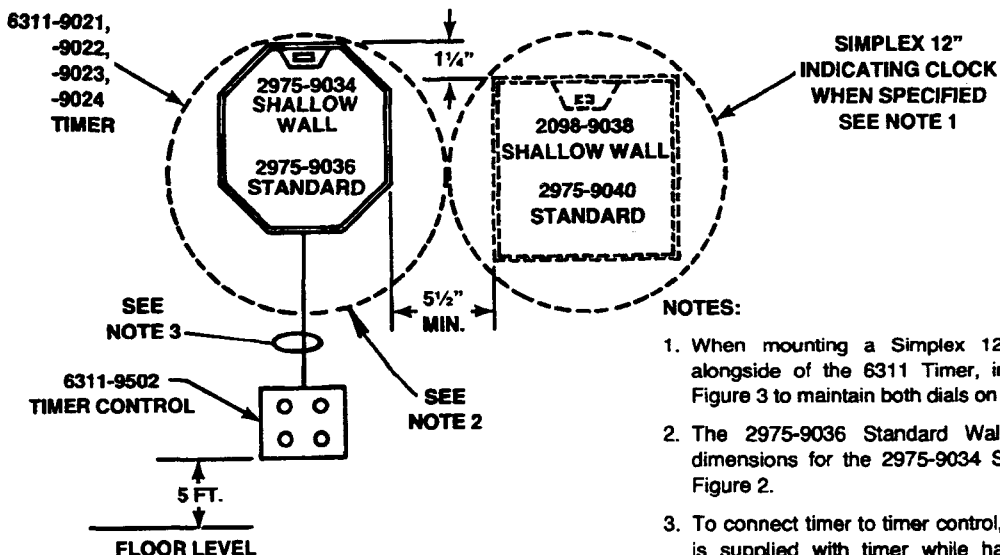


**NOTES:**

1. Use 2975-9034 box with hanger strap. Box has one knockout in top and vertical sides to accommodate 1/2 or 3/4" conduit.
2. To connect timer to timer control, harness 733-623 (5 1/2' length) is supplied with timer while harness 733-614 (7" length) is supplied with timer control. If length greater than 5 1/2' is desired, use #18 wires (or to local code).

**FIGURE 2**

**DUAL MOUNTING SEMI-FLUSH**



**NOTES:**

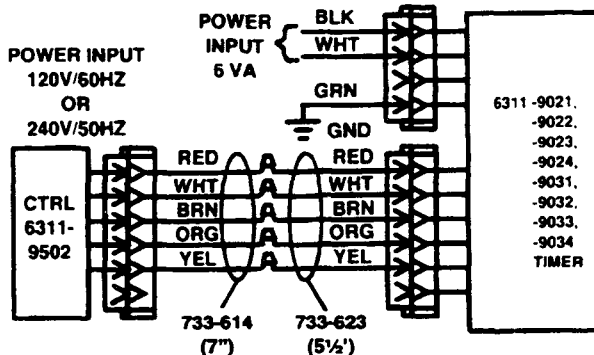
1. When mounting a Simplex 12" semi-flush Indicating clock alongside of the 6311 Timer, install the boxes as shown in Figure 3 to maintain both dials on the same center-line.
2. The 2975-9036 Standard Wall Box is 3 9/16" deep; the dimensions for the 2975-9034 Shallow Wall Box are given in Figure 2.
3. To connect timer to timer control, harness 733-623 (5 1/2' length) is supplied with timer while harness 733-614 (7" length) is supplied with timer control. If length greater than 5 1/2' is desired, use #18 wires (or to local code).

**FIGURE 3**

**CAUTION**  
USE ONLY WITH  
6311-9502 CTRL.

**WARNING**  
DISCONNECT  
SUPPLY CORD  
BEFORE OPENING

**NOTE**  
TO CONNECT TIMER TO TIMER CONTROL,  
HARNESS 733-623 (5 1/2' LENGTH) IS  
SUPPLIED WITH TIMER WHILE HARNESS 733-614  
(7" LENGTH) IS SUPPLIED WITH TIMER CONTROL.  
IF LENGTH GREATER THAN 5 1/2' IS DESIRED, USE  
#18 WIRES (OR TO LOCAL CODE).



**FIGURE 4**

## OPERATING (See Figure 5)

### To use timer

1. On timer control (A), place **START/STOP/RESET** toggle switch (B) in the **START** position.
  - **TIMER ON** LED (C) lights up and timer (D) begins to operate. Allow timer (D) to operate for at least 5 seconds.
2. When desired, place **START/STOP/RESET** toggle switch (B) in the **STOP/RESET** position to stop timer (D).
  - **TIMER ON** LED (C) goes off.

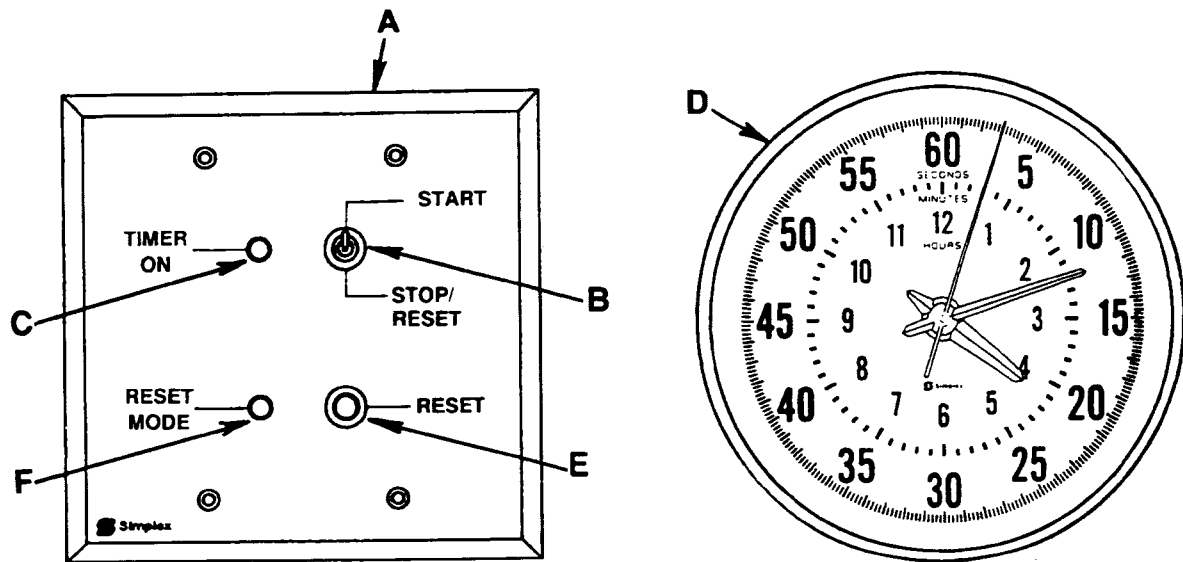


FIGURE 5

### To reset timer

3. Make sure that **START/STOP/RESET** toggle switch (B) is in the **STOP/RESET** position.
  - Timer's second hand may not reset unless the timer has operated for at least 5 seconds.
4. Press **RESET** pushbutton (E).
  - **RESET MODE** LED (F) lights up and the timer's second hand moves forward towards 60 seconds (reset position for second hand). When second hand reaches 60 seconds, timer shifts to rapid advance for the hour and minute hands. LED stays on until hour and minute hands read approximately 11:30; hour and minute hands stop advancing at 12:00.

**NOTE:** If second hand is not positioned at 60 seconds following reset, place **START/STOP/RESET** toggle switch (B) in the **START** position. Allow second hand to run past 5 seconds before placing **START/STOP/RESET** toggle switch in the **STOP/RESET** position. Then repeat Step 4.